

KRAIBURG ergoBOARD

Prerequisites:



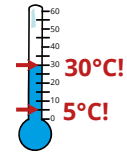
Mats are already installed in the free stalls

Concrete area:

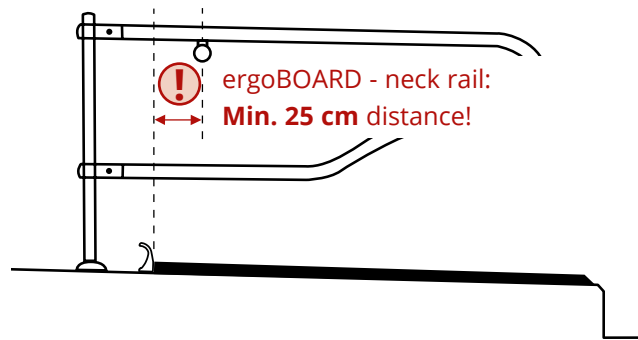
- No holes
- No ridges

ergoBOARDS:

Even temperature:
min. 5°C to max. 30°C
(store according to initial temperature)

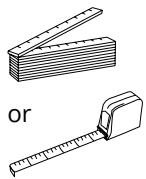


Maintain minimum distance:

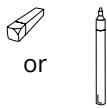


You will need:

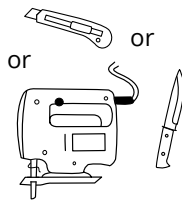
Measuring:



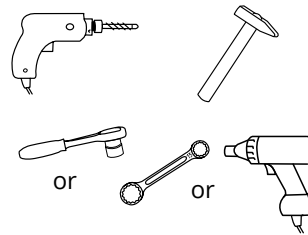
Marking:



Cutting:



Drilling and installing:



KRAIBURG fixings:

- Framing plugs \varnothing 10 x 80 mm with
- Hexagon screws (AF 13) - A2
- Washers \varnothing 40 mm - A2

(Fixings are part of the delivery)

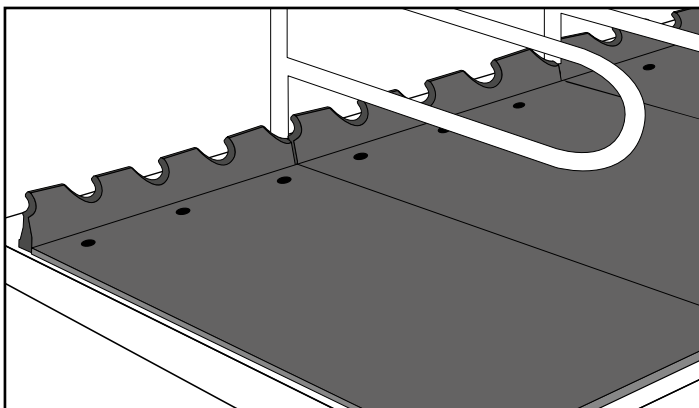


Note: Use ergoBOARDS of adequate length:

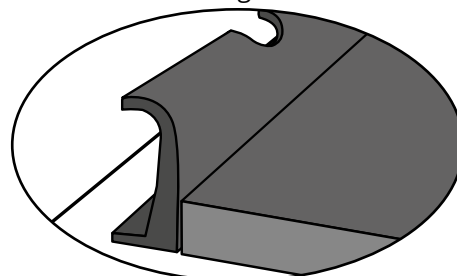
- Free stall width 115 cm: ergoBOARD measuring 115 cm in length
- Free stall width 120 cm or more: ergoBOARD measuring 120 cm in length
- Free stall width between 115 and 120 cm: Mix both lengths
(Installation of ergoBOARD is only possible for a free stall width of at least 115 cm.)

1 Position ergoBOARDS

Fit together loosely and align to **the center of the free stall**



Rounded edge at the front



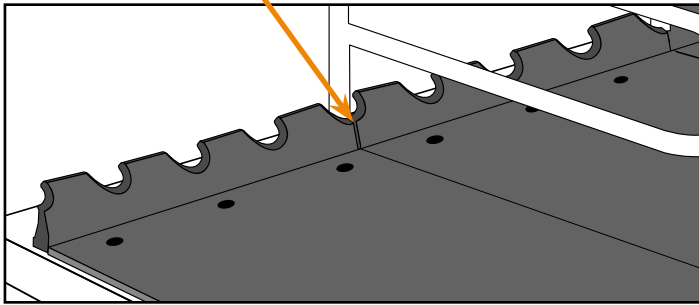
Position optionally with a gap between the lying mat and ergoBOARD → consultation required! ☎



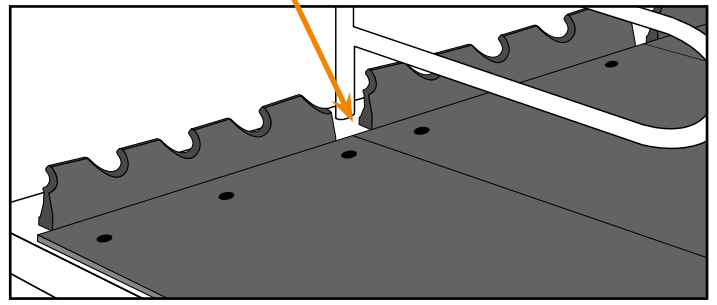
About ① Position ergoBOARDS

 Two installation options possible:

Joint is underneath the divider (max. +/- 6 cm)



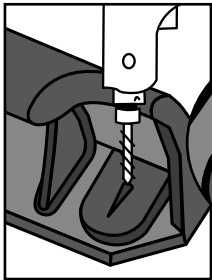
A gap may form between two ergoBOARDs



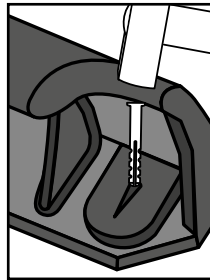
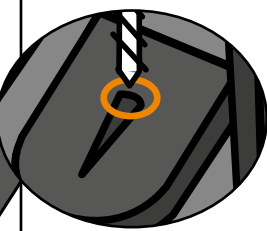
② Fix

Fix at the pre-fabricated markings:

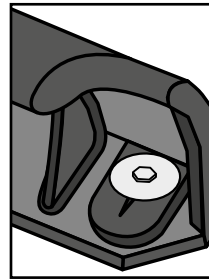
 Fix at each marking!



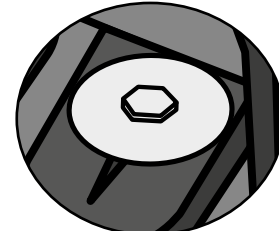
Drill



Knock the plastic plugs in flush



Tighten screws and washers until they are seated evenly and firmly.
Do not overtighten!



Tip:
Avoid slippage:

- Fix at one fixing point
- Then drill further holes, etc.

