

# Control devices in the cubicle

**Free moving space and animal control** can complement each other very well in stalling systems. The brisket board is an important element of this.

## Flexible brisket board ergoBOARD - for animal-friendly animal control:

- ▶ pleasantly soft contact area allows natural lying positions with foreleg stretched out
- ▶ "crumple zone" - ergoBOARD softens the load when lying down as well as getting up
- ▶ promotes relaxed and thus longer lying

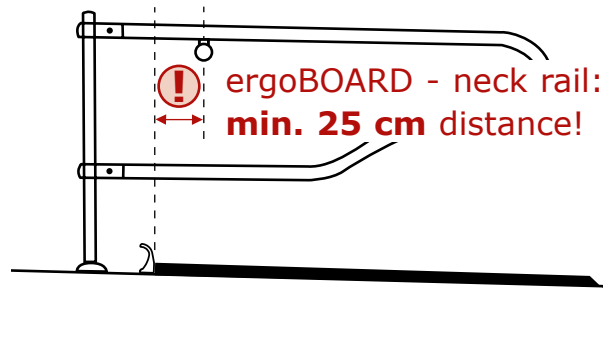


back side



### When using ergoBOARD, please note:

- Maintain minimum distance:



- ergoBOARD **complements** ideally the cubicle's control devices
- If the **minimum distance is not maintained** or the **ergoBOARD is used as the only control device**, this load **can shorten its service life!**

#### Tip:

If the minimum distance ergoBOARD - neck rail cannot be maintained with existing stalling, the following alternatives may be helpful:

- **longer comfort lying mats** (i.e. KEW Plus 192 cm or KKM LongLine 200 cm long)
- the more robust brisket board version **maxiBOARD**

